

TURBOFOOT EVO

FOOT ASCENDER

Ref. 3261V -3262V

ROPE ACCESS, TREE CLIMBING

The beloved Turbofoot ascender gets an upgrade with the Turbofoot Evo. Integrated rollers deliver incomparable efficiency during climbing and low wear-and-tear on both the rope and on the ascender itself. Can be used in two different modes with the flick of a switch: free the cam to allow for immediate insertion and removal or lock the cam to prevent the possibility of accidental releases. The fastening straps adapt to any type of boot with auto-locking buckles for fast and secure adjustment. Mud and dirt can exit through special holes in the cam to help prevent build-up. Aluminum alloy main body. Precision cast stainless steel cam. Can also be used as a progress capture pulley (for material recovery purposes only, 50 kg max). For ropes from 8 to 13 mm. **ATTENTION:** the Turbofoot is intended for progression only and cannot be used as a life safety attachment.

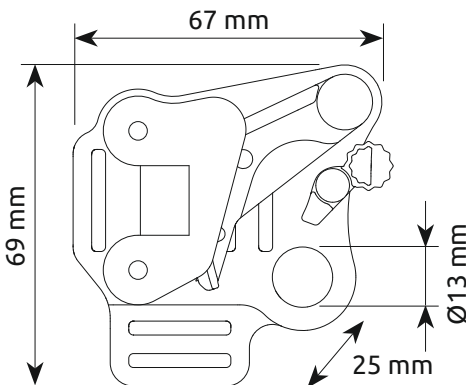
Updated toothed cam manufactured using MIM precision sintering for improved grip on the rope and greater resistance to wear-and-tear and oxidation. Construction of the fastening straps system is updated with a new buckle for quick and precise adjustment.



Ref.3261V - Right



Ref.3262V - Left



Ref.	Product name	Weight		Rope diameter	
		g	oz	Min - mm	Max - mm
3261V	TURBOFOOT EVO RIGHT	150	5.3	8	13
3262V	TURBOFOOT EVO LEFT				

TURBOFOOT EVO

FOOT ASCENDER

Ref. 3261V -3262V

ROPE ACCESS, TREE CLIMBING

MIM precision sintering toothed cam for improved grip on the rope and greater resistance to wear-and-tear and oxidation

Soft spring inside, allows easy insertion and removal of the rope

Aluminium alloy main structure. Thickness: 3.5 mm

Patented stainless steel rollers for low friction on the rope

Aluminium alloy fast-buckle

Switch: free the cam to allow for immediate insertion and removal or lock the cam to prevent the possibility of accidental releases



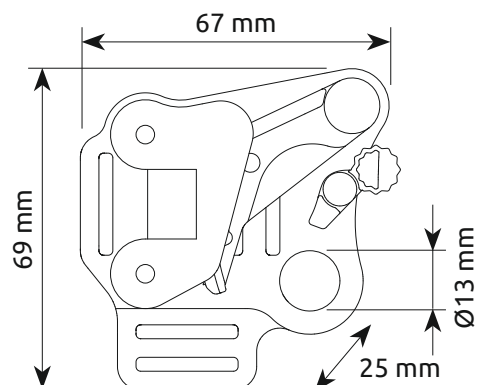
Hole for connector. It allows use of the device as locking pulley for hauling

20 mm wide webbing

Reinforcement webbing

HAULING

50 kg MAX



Spare webbing harness for Turbofoot ascenders. Available in right and left.

Construction of the fastening straps system is updated with a new buckle for quick and precise adjustment.



0776T Right



0777T Left

Ref.	Weight
	9
0776T	50
0777T	50