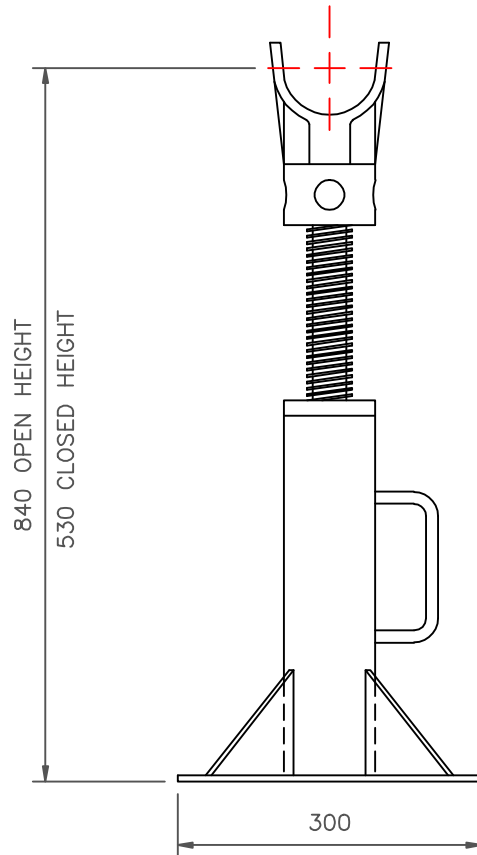


ALL DIMENSIONS IN mm U.O.S.

DO NOT SCALE DRAWING


ALL DIMENSIONS ± 1 mm U.O.S.



CABLE DRUM JACKS EASY TO HANDLE AND SIMPLE OPERATION.
BASE PLATE DESIGNED TO GIVE STABILITY EVEN ON SOFT GROUND.
3 TONNE CAPACITY PER PAIR.
1060mm MIN DRUM DIAMETER
1600mm MAX DRUM DIAMETER

BASE AREA 300x300

JACK WEIGHT 19 kg

REV	AMENDMENT	DATE	NAME	
 S.E.B. INTERNATIONAL LTD. UNITY ROAD, LOWMOOR ROAD INDUSTRIAL ESTATE, KIRKBY IN ASHFIELD, NOTTS.				
TITLE SJ3 SCREW JACK (3 TONNES)				
NAME	S.LAWSON	MAT'L	MILD STEEL	DRG No.
DATE	6/2/1997	SCALE	1=5	SJ3