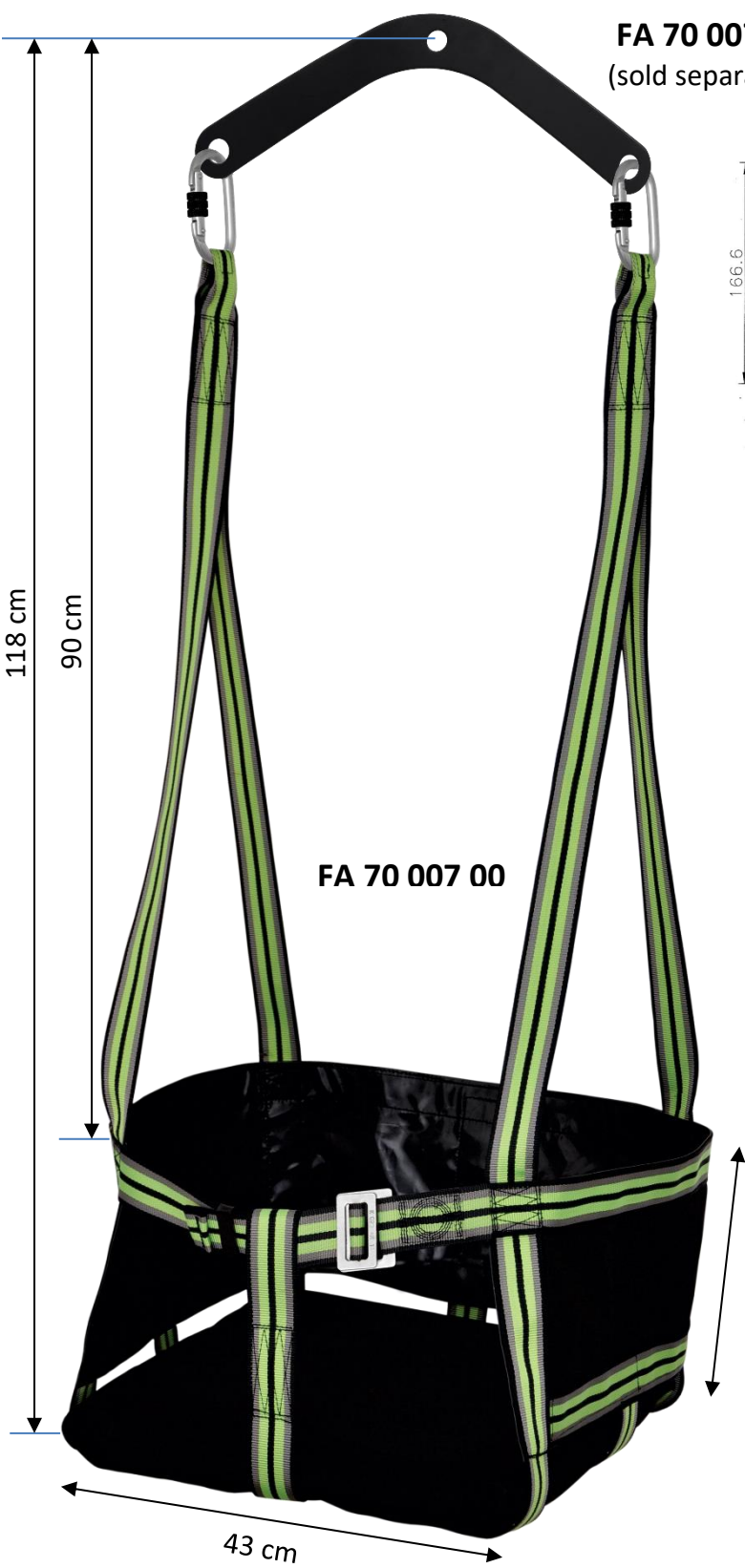
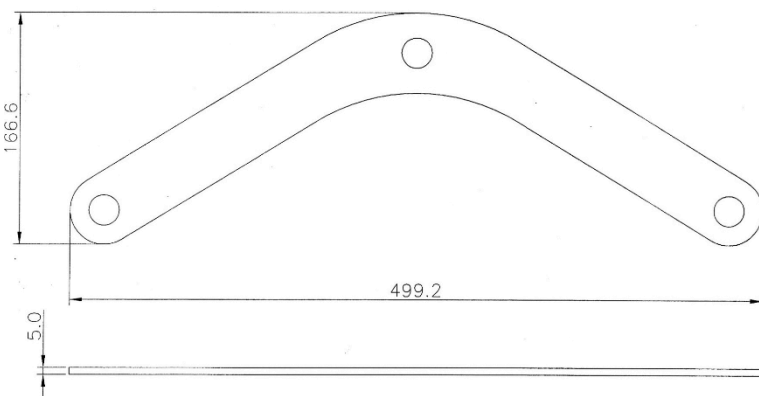




FA 70 007 00, FA 70 007 01

FA 70 007 01
(sold separately)



REF.	FA 70 007 00	FA 70 007 01
KG	140 KG (as per 2006/42/EC)	---
CE	Machinery Directive 2006/42/EC (not PPE)	---
MAT.	: 45mm PES	
	3.32 KG	1 KG

HS CODE	94016900
CARTON SIZE / PCS.	FA 70 007 00 : 60 x 40 x 48 cm / 5 FA 70 007 01 : 40 x 40 x 24 cm / 20
Technical test	48332/0417/spc-0/1/pjs/nw
<p>Satra Technology Centre, N°0321 Wyndham Way, Telford Way, Kettering Northamptonshire, NN16 8SD, United Kingdom</p>	