

LIGHTWEIGHT ALUMINIUM DAVIT

# LAD 001



Made  
in Poland



# LIGHTWEIGHT ALUMINIUM DAVIT **LAD 001**

**NEW!**

EN 795 TYPE B  
REF. No.: LAD 001

**SECURITY FOR  
1 PERSON**

Lightweight aluminium davit **LAD 001** is an anchor point according to EN795/B. It is designed to protect a maximum of 1 person at a time.

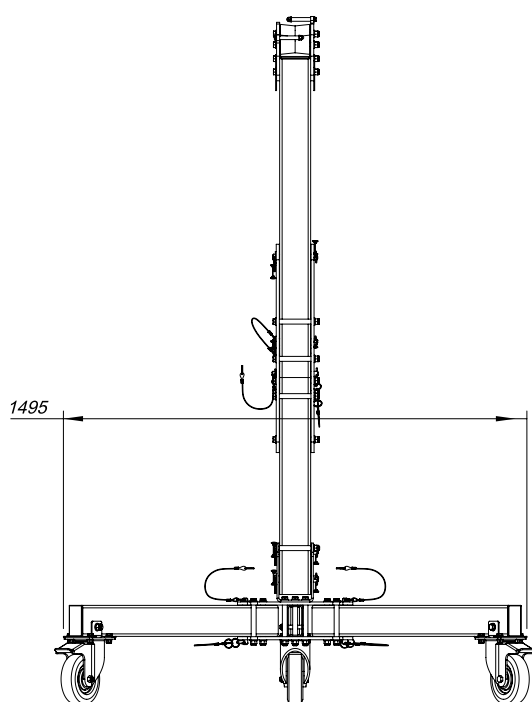
The device is made of reinforced, anodized or powder coated aluminium and stainless steel elements.

## THE LAD DAVIT IS EQUIPPED WITH IN ONE HOLDER PAD100-301-000.

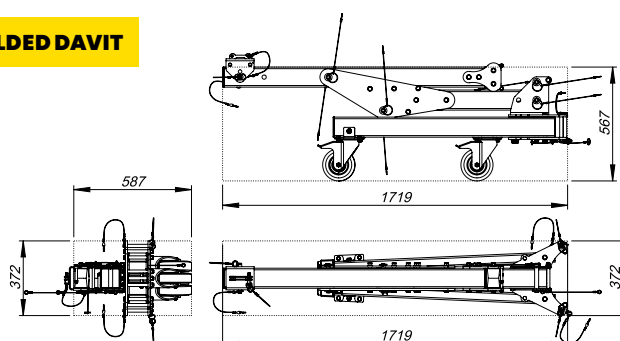
The device can be easily assembled for transport or disassembled into three separate modules whose weight does not exceed 25 kg (individual modules are connected with bolts and pins):

- Bracket with folding legs and a socket for a vertical post. The bracket is equipped with 3 wheels with a diameter of 160 mm in swivel castors with a brake, enabling easy movement of the crane in the workplace.
- Vertical post with a socket for mounting the boom.
- Arm with block, anchoring point and socket for attaching the winch.

## UNFOLDED DAVIT

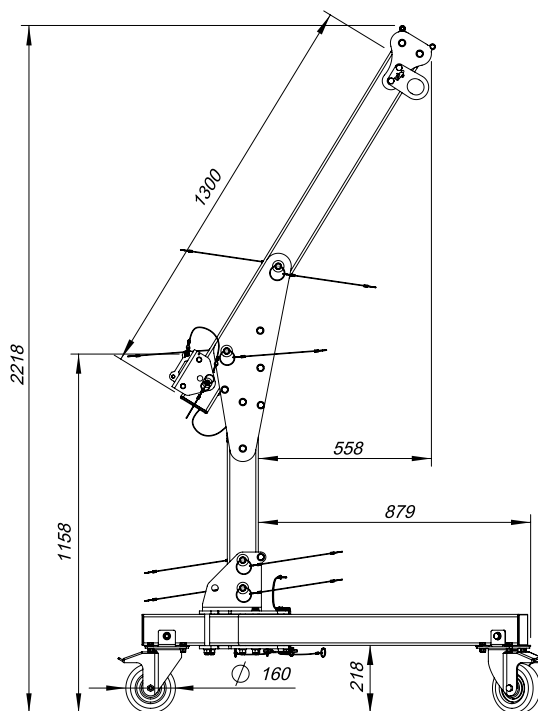


## FOLDED DAVIT



## PARAMETERS

Dimensions - crane unfolded:	1495 mm x 1254 mm x 2218 mm
Dimensions - crane folded:	327 mm x 587 mm x 1719 mm
Working height:	2218 mm
Maximum load:	120 kg (1 person)
Weight	36 kg
Material:	aluminium
Finishing:	powder coating



# LIGHTWEIGHT ALUMINIUM DAVIT **LAD 001**

## DISASSEMBLY INSTRUCTION

1 



2 



3 



4 



### Additional components (to be ordered separately):

Individual fall protection equipment (self-locking devices, cables, etc.) can be attached to the **LAD 001**, with the aid of the catch eye at the end of the arm.

**RUP502-U, RUP504, RUP506** escape hoists can be attached to the LAD 001 by means of the universal hoisting device **PAD100-301-000**.

The **CRW200** device can be attached using the additional holder **PAD100-310**.

The **CRW300** device can be attached using the additional holder **PAD100-320**.