

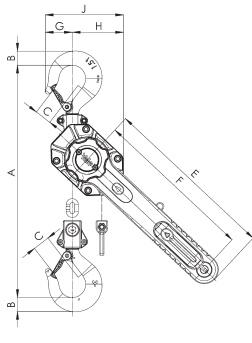
## Technical data model YaleERGO 360

Model	EAN-No. 4053981**	Capacity kg	Number of chain falls	Chain dimensions d x p mm	Lift with one full lever turn mm	Handle pull at WLL daN	Weight at standard lift (1.5 m) kg
YaleERGO 360 750	**979625	750	1	5.6x17.1	27.2	20	6.6
YaleERGO 360 1500	**979632	1500	1	7.1x21	21.7	26	9.5
YaleERGO 360 3000 <sup>1</sup>	**979649	3000	1	10x28	20.1	40	16.8
YaleERGO 360 6000 <sup>1</sup>	**981055	6000	2	10x28	10.1	42	28.6

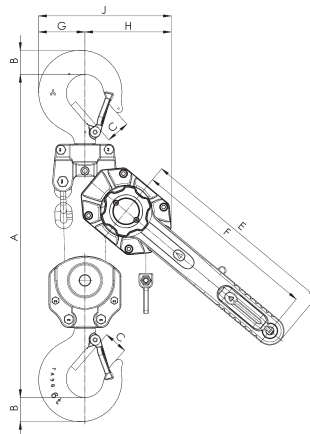
<sup>1</sup>available 2<sup>nd</sup> quarter

## Dimensions model YaleERGO 360

Model	YaleERGO 360 750	YaleERGO 360 1500	YaleERGO 360 3000	YaleERGO 360 6000
A min., mm	320	375	445	563
B, mm	20	26	37	45
C, mm	27	31	40	44
D, mm	18	21	28	35
E, mm	327	327	377	377
F, mm	300	300	350	350
G, mm	40	51	57	87
H, mm	81	96	123	162
J, mm	121	147	180	238
K, mm	56	69	86	86
L, mm	105	110	121	121
M, mm	161	179	207	207
N, mm	30	30	30	30
O, mm	120	120	120	120
P, mm	257	273	299	299



Model YaleERGO 360, 750 - 3000 kg,  
single fall



Model YaleERGO 360, 6000 kg,  
double fall



## EASIER MAINTENANCE & INSPECTION

For quicker maintenance and lower repair costs, screws are set into the hoist body to protect them from potential damage.