

# **CRANE OPERATING AND MAINTENANCE** **INSTRUCTIONS**

## **COUNTERBALANCE TYPE WORKSHOP** **TROLLEY CRANES**

**CTC152-CTC508 MODELS DRY SAND OR CONCRETE BLOCKS  
MAY BE USED AS A SUITABLE BALLAST**

**CTC750,CTC1000 AND CTC2000 ONLY METAL WEIGHTS  
SHOULD BE USED DUE TO THE SIZE OF THE BALLAST  
CONTAINER**



**WEIGHT OF COUNTERWEIGHT REQUIRED FOR MAXIMUM CAPACITY'S**

<b>MODEL NO.</b>	<b>WEIGHT REQUIRED</b>
CTC152	200 Kg
CTC254	249 Kg
CTC508	322 Kg
CTC750	675 Kg
CTC1000	900 Kg
CTC2000	1032 Kg

# **ALWAYS READ THE INSTRUCTIONS BEFORE** **USING THIS EQUIPMENT**

**Ensure the correct amount of ballast is used before counterbalance crane/equipment is put into service or any load is lifted.**

**ALWAYS use a Mobile Crane/Lifting Equipment on a firm level surface.**

**NEVER use a Mobile Crane/Lifting Equipment on a sloping surface due to the danger of the Mobile Crane/Lifting Equipment moving or the load not being lifted correctly, i.e. off-centre loads could cause structural damage to the equipment and possible injury to Operator.**

**ALWAYS apply the brakes (when fitted) before commencing lifting operation.**

**NEVER lift off centre loads.**

**ALWAYS use the correct lifting tackle and use Lifting Hook/Hooks as directed on the enclosed instructions. ALWAYS use certified lifting aids.**

**NEVER move a crane with a high suspended load. Cranes with a suspended load should only be moved with the suspended load just clear of the floor. Move the crane slowly and avoid sudden crane stops which could cause the load to swing violently.**

**NEVER use the full length of the Hydraulic Ram this could cause damage to the Hydraulic Unit and make the load unstable.**

**Any modification to the Equipment or Hydraulic Pump/Ram will make this declaration of conformity invalid.**

**NEVER continue to exhaust the Safety Valve as this could cause the load to become unstable and damage the Safety Release Valve.**

**Hydraulic Oil should be changed ever 12 months. NEVER mixed different brands of Hydraulic Oil or use different viscosity.**

**A suspended load should only be lowered slowly and in a controlled manner.**

**ALWAYS move Equipment/Crane with the handle attached to the Equipment/Crane. NEVER use the Hydraulic Pump handle to move or position Equipment/Crane.**

**NEVER leave a suspended load for long periods. Lower loads onto a Supporting Frame.**

**NEVER allow any person to stand in such a position that the load could fall on them or cause a person injury.**

**ONLY adjust the Telescopic Jib with the main Support Jib in the horizontal position. This is to ensure that the Telescopic Jib will not inadvertently slide out. NEVER adjust the Telescopic Jib with a load attached.**

**DO NOT use the Equipment/Crane if any defect is observed, report to a competent person.**

**ENSURE that all Spring Clips are in place.**

**NEVER EXCEED THE SAFE WORKING LOAD OF THE EQUIPMENT/CRANE.  
THE MAXIMUM LOAD ONLY APPLIES WHEN THE INNER JIB IS FULLY RETRACTED  
(I.E. POSITION 1)**

# INSTRUCTIONS FOR THE SAFE WORKING OF C.A.M. EQUIPMENT.

Manufactured to a high standard, this product will, if used in accordance with the instruction, and is properly maintained give years of trouble free service.

## IMPORTANT

**BEFORE USING THIS PRODUCT, PLEASE READ THE INSTRUCTION CAREFULLY. MAKE CAREFUL NOTE OF SAFETY INSTRUCTIONS, WARNINGS AND CAUTIONS. THIS PRODUCT SHOULD ONLY BE USED FOR ITS INTENDED PURPOSE. FAILURE TO DO SO MAY CAUSE DAMAGE OR PERSONAL INJURY, AND WILL INVALIDATE THE WARRANTY.**

The use of symbols and adhesive labels in this document and attached to the product is to attract your attention to possible DANGER and REMINDERS, the symbols labels and warnings, themselves do not ELIMINATE the DANGER, nor are they a substitute for proper accident prevention measures.

## SAFETY INSTRUCTIONS

- 1) Familiarise yourself with this products application, as well as the limitations and specific potential hazards.
- 2) Ensure that the product is stable and suitable for the application.
- 3) The floor must be stable and solid so that the equipment will not cause injury during use.
- 4) Take special care to avoid trapping hands or feet.
- 5) Use only genuine C.A.M spare parts, non-recommended parts may be dangerous.
- 6) Check regularly for damaged parts, broken or damaged parts should be replaced immediately.
- 7) Ensure the space required for use and maintenance of the equipment is adequate, and with good lighting.
- 8) Keep unauthorised persons and children away from the working area at all times.
- 9) Maintain the equipment in top condition at all times.
- 10) **Do not** use the equipment for anything other than its intended purpose.
- 11) **Do not** exceed the maximum safe working capacity of the equipment.
- 12) **Do not** modify or alter this equipment in any way.
- 13) **Do not** allow children or untrained persons to operate this equipment
- 14) **Do not** wear loose or ill-fitting clothing, ties, watches, rings, and any other jewellery, tie up or cover long Hair.
- 15) **Do not** stand on the equipment.
- 16) **Do not** use this equipment whilst under the influence of drugs, alcohol or any other intoxicating medication.
- 17) **Do not** use this equipment if you are fatigued.

## WARNING

The correct amount of counterweight for the model specified must be placed in that position.

Failure to carry out this procedure correctly could result in having insufficient counterweight at the correct position in the counterweight ballast box to give maximum lifting capacity of the counterbalance crane.

### MINIMUM WEIGHT REQUIRED FOR COUNTERBALANCE CRANES

When sand / concrete blocks or similar material is used as counterweight. The weight required for each model is listed below.

Model No.	Counterweight Required
CTC-152	200 Kg
CTC-254	249 Kg
CTC-508	322 Kg

On no account must less than the amount of counterweight listed for each model be used when sand / concrete blocks or similar material is used as counterweight.

When metal weights are factory supplied/ positioned and fitted to each counterbalance crane, the counterweight required for each model is listed below.

Model No.	Counterweight Required	
CTC-152	100 Kg	<i>This Amount of counterweight must</i>
CTC-254	147 Kg	<i>only be used when factory fitted.</i>
CTC-508	322 Kg	

On no account must any of the factory supplied metal weights be removed or repositioned in or around the crane / ballast weight box.

If an order for metal counterweights is not received with the crane and or supplied at a later date, the counterweights must be positioned and fixed at the rear of the counterweight ballast box as diagram, A-B.

On counterbalance cranes, Model No.. CTC-750, CTC-1000 and CTC-2000. Only metal weights can be used as counterweight, because of the ballast box size.

**ON NO ACCOUNT MUST SAND / CONCRETE BLOCKS OR SIMILAR MATERIAL BE USED AS COUNTERWEIGHTS.**

Model No..	Counterweight Required.
CTC-750	675 Kg
CTC-1000	900 Kg
CTC-2000	1032 Kg

When metal weights are factory supplied and fitted / positioned in the counterbalance crane, the total weight for each model is listed below.

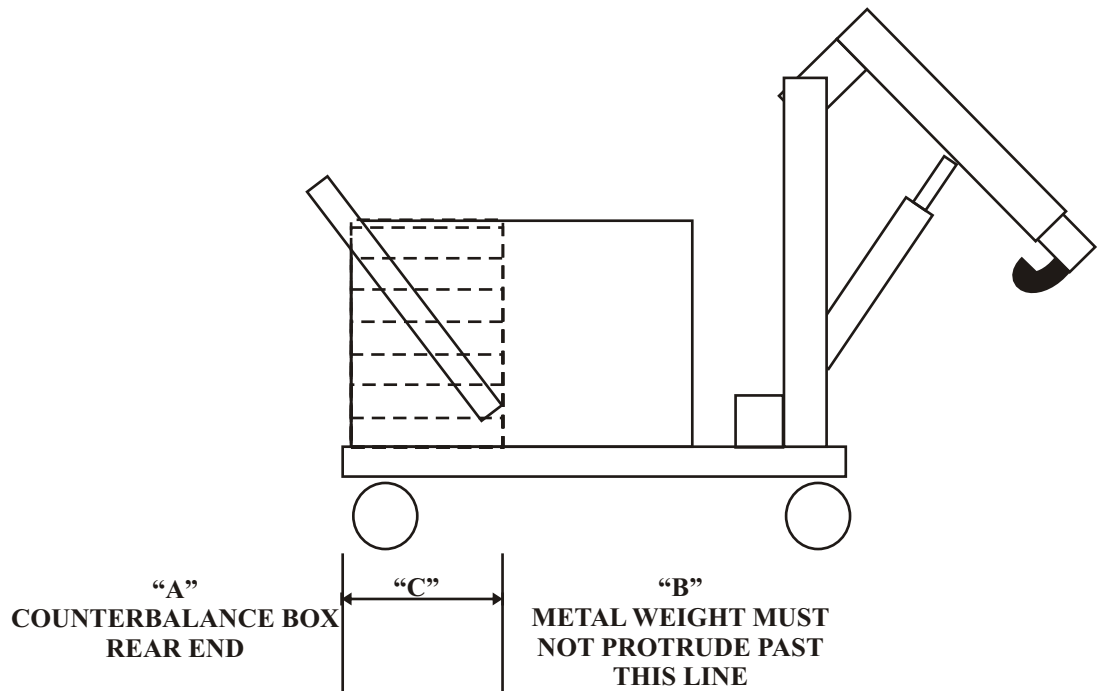
Model No..	Counterweight Required.
CTC-750	483 Kg
CTC-1000	598 Kg
CTC-2000	800 Kg

## WARNING

The amount of counterweight listed as factory fitted must only be used when supplied by the manufacturing company.

**ON NO ACCOUNT MUST THIS AMOUNT OF WEIGHT BE USED WHEN COUNTERWEIGHTS ARE SUPPLIED BY ANY OTHER SOURCE.**

**POSITION "C" GIVES THE MAXIMUM POSITION DATUM LINE FOR FACTORY FITTED METAL COUNTERWEIGHTS FOR ALL MODELS.**



<u>Model No.</u>	<u>Counter Weight.</u>	<u>Distance From Ballast Box Rear Panel</u>
CTC-152	200 Kg	115 mm <i>DIMENSION "C"</i>
CTC-254	249 Kg	115 mm <i>COUNTERWEIGHT</i>
CTC-508	322 Kg	215 mm <i>MUST NOT</i>
CTC-750	483 Kg	310 mm <i>PROTRUDE INTO</i>
CTC-1000	598 Kg	310 mm <i>SECTION "B"</i>
CTC-2000	800 Kg	420 mm

## WARNING

**CORRECT COUNTERBALANCE WEIGHT AT THE REAR END OF THE BALLAST BOX, AS ABOVE DESCRIPTION.**

The correct quantity of hydraulic oil required for each model.

<u>Model No.</u>	<u>Pints</u>	<u>Litres</u>
CTC-152	1.5	1
CTC-254	1.5	1
CTC-508	3	2
CTC-750	4	2.5
CTC-1000	4	2.5
CTC-2000	5	3

## NOTE

**DO NOT ADD HYDRAULIC OIL.**

**THE HYDRAULIC SYSTEM LEAVES THE FACTORY FILLED TO THE CORRECT LEVEL**