

HHS | SINGLE ACTING HOLLOW PISTON CYLINDERS



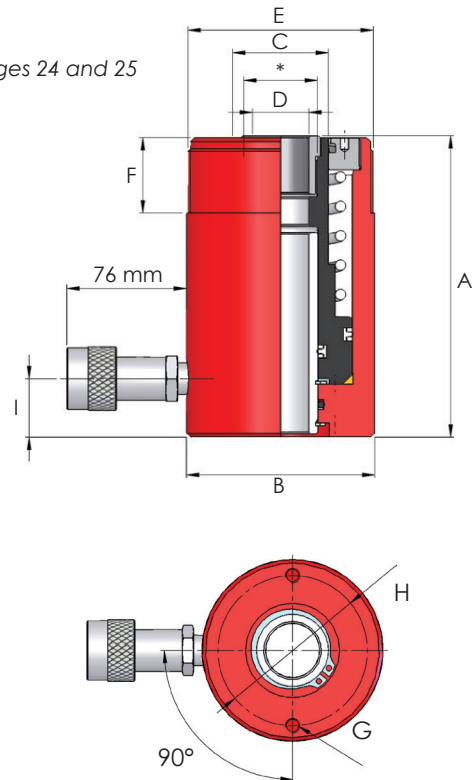
Capacities from 11 to 102 tonnes

Stroke lengths from 25 to 152 mm

Working pressure 700 bar

- ▶ Single acting, spring assisted return
- ▶ Hollow piston design for tooling, maintenance and tensioning applications
- ▶ Nitrocarburised piston rod for corrosion resistance
- ▶ Low friction bearing surfaces
- ▶ Anti-extrusion seals for improved performance at high pressures
- ▶ Collar threads withstand full load
- ▶ Optional piston rod saddles listed on pages 24 and 25

*see pages 24 and 25



Model number	Capacity (tonnes)	Stroke (mm)	Oil capacity (cm ³)	Cylinder eff. area (cm ²)	Weight (kg)
HHS101	11	25	39	15.8	2.8
HHS102	11	50	79	15.8	3.0
HHS106	11	152	240	15.8	10.2
HHS202	23	50	167	33.3	7.0
HHS206	23	150	500	33.3	13.8
HHS302	33	50	233	46.7	10.6
HHS306	33	152	710	46.7	19.2
HHS603	61	76	651	85.7	28.0
HHS606	61	150	1285	85.7	40.6
HHS1003	102	76	1088	143.1	64.0
HHS1006	102	150	2147	143.1	75.0

Dimensions (mm) (unless otherwise stated)									
A	B	C	D	E	F	G	H	I	
110	70	38	20	2 ¼"-16 UN	30	M8	51	19	
140	70	38	20	2 ¼"-16 UN	30	M8	51	19	
297	70	38	20	2 ¼"-16 UN	30	M8	51	19	
160	100	51	30	3 ⅞"-12 UN	40	M8	82.5	31	
306	100	51	30	3 ⅞"-12 UN	40	M8	82.5	31	
165	115	60	35	4 ½"-12 UN	40	M8	92	31	
320	115	60	35	4 ½"-12 UN	40	M8	92	31	
226	160	92	55	6 ¼"-12 UN	59	M12	130	31	
315	160	92	55	6 ¼"-12 UN	59	M12	130	31	
276	213	127	81	8 ⅜"-12 UN	60	M16	178	45	
350	213	127	81	8 ⅜"-12 UN	60	M16	178	45	

Note: If specifying this cylinder for use with the SLF and SLV synchronous lifting systems and associated mounting kit, please consider the increase in dimension A (closed height), see pages 43 and 47.